

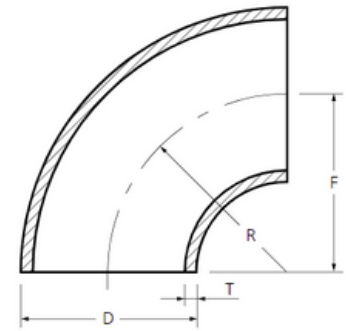
1.5xD 90° Tru-Bore® Metric Elbow

A 1.5xD 90° Tru-Bore® metric elbow is a type of butt weld fitting that can connect two equally sized metric pipes. It is manufactured from either tubes, sheet or strip depending on the specific product and dimension required.

The stainless steel 1.5xD 90° Tru-Bore® metric elbow for Pressure Purposes that Special Metric Materials typically supplies are manufactured to EN 10253-4/EN 10253-3. Elbows manufactured to EN 10253-4 have a weld factor of $z=1$ & are rated to a higher pressure capability.

Special Metric Materials can supply stainless steel welded 90° 1.5xD Tru-Bore® metric elbows in the following Grades: 304L (1.4307), 316L (1.4404) & 316L High Moly (1.4432).

Tru-Bore® is a registered trademark of OSTP.



DN	D	R=F	Wall Thickness Tmm				
			1.5	2	2.5	3	4
15*	18	22.5	0.02				
	20	25		0.04			
20*	23,0	25	0.03				
	25	27.5		0.05			
25*	28	32.5	0.05				
	30	33.5		0.07			
32*	35	45	0.08	0.11			
	38	45	0.09	0.12			
40*	43	47.5	0.11				
	44.5	51		0.16			
50*	53	72.5	0.22				
	54	70		0.28			
65*	69	95		0.47			
*	84.0/86.0	123		0.9		1.4	
100*	104/106	150		1.2		1.8	
125*	129/131	188		2		3	
150*	154/156	225		2.6		3.9	
200*	204/205/206	300		4.8	6	7.3	
250*	254/255/256	375		7.4	9.2	11	
300	304/306/308	450		10.7		16.5	22
350	356/358/360	525				22.5	30
400	406/408/410	600				29	38
450	456/458/460	675				37	49
500	506/508/510	750				45	60
600	606/608/610	900				66	88
700	708/710/712	1050					117
800	808/810/812	1200					152
900	910/912	1350					
1000	1010/1012	1500					
1100	1110/1112/1116	1650					