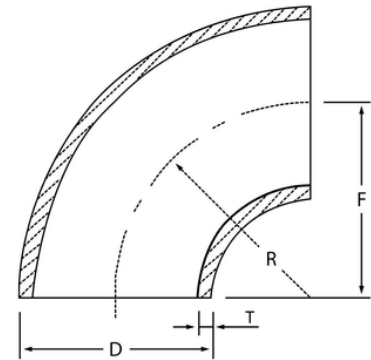


ISO STAINLESS STEEL 1.5XD 90° ELBOW

An ISO stainless steel 1.5xD 90° elbow is a fitting that can connect two metric pipes of the same size. Depending on the specific product and dimension required, ISO stainless steel 1.5xD 90° elbows are manufactured from tubes, sheet or strip.

The ISO stainless steel 1.5xD 90° elbows for Pressure Purposes that Special Metric Materials typically supplies are manufactured to EN 10253-4/EN 10253-3. Elbows manufactured to EN 10253-4 have a weld factor of $z=1$ & are rated to a higher pressure capability.

Special Metric Materials can supply ISO stainless steel 1.5xD 90° elbows in the following Grades: 304L (1.4307), 316L (1.4404) & 316L High Moly (1.4432).



DN	D	R=F	Thickness/(Pressure Rating at 20°C)	
			2	3
10	17.2	28	0.03(273)	
15	21.3	27.5	0.04(201)	
20	26.9	28.5	0.06(143)	
25	33.7	38	0.10(120)	
32	42.4	47.5	0.15(90)	
40	48.3	57	0.21(80)	
50	60.3	76	0.35(65)	
65	76.1	95	0.55(50)	
80	88.9	114	0.78(43)	1.17(46)
100	101.6	152	1.20(28)	
100	114.3	152	1.30(37)	2.00(50)
125	139.7	190	2.10(30)	3.10(41)
150	168.3	229	3.00(23)	4.50(34)
200	219.1	305	5.20(17)	7.80(25)
250	273	381	8.00(20)	12.1(30)
300	323.9	457	11.6(11)	17.3(24)
350	355.6	533		22.2(21)
400	406.4	610		29.3(20)
450	457	686		36.8(9)
500	508	762		45.4(8)
600	610	914		65.4(6)