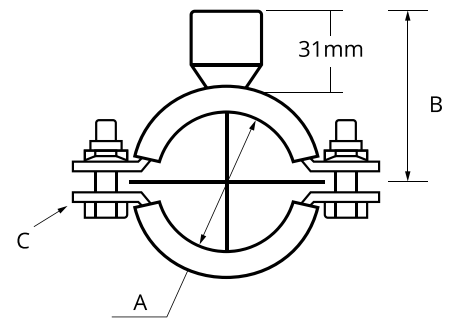


Stainless Steel Saddle Pipe Clips

Stainless steel saddle pipe clips are traditional clamps that hold stainless steel piping systems securely in place. Stainless steel saddle pipe clips work by transferring the weight of the pipe to the chosen supporting surface.

Stainless steel saddle pipe clips are used extensively across many sectors, including the water, food & drink, building services, process industries, renewable energy and chemical industries.



OD (")	NB (")	DN	A – mm	B – mm	C – mm	Bolts
0.5		DN10	12	43	25 x 2.5	M8 x 25
0.75			19	46	25 x 2.5	M8 x 30
1	0.75	DN20	25	53	25 x 2.5	M8 x 25
1.1/4	1"	DN30	33	54	25 x 2.5	M8 x 25
1.1/2			38	55	25 x 2.5	M8 x 25
1.3/4	1.1/4	DN40	44	58	25 x 2.5	M8 x 30
2	1.1/2	DN50	54	63	25 x 2.5	M8 x 30
2.1/2	2	DN60	63	70	25 x 2.5	M8 x 30
		DN65	68	72	25 x 2.5	M8 x 30
3	2.1/2		76	70	25 x 2.5	M8 x 30
		DN80	84	82	25 x 2.5	M8 x 30
	3		89	83	25 x 2.5	M8 x 30
4		DN100	104	90	25 x 2.5	M8 x 30
	4		114	95	25 x 3.0	M8 x 40
5		DN125	128	102	25 x 3.0	M8 x 30
6		DN150	154	115	25 x 3.0	M8 x 40
	6		168	122	25 x 3.0	M8 x 40
8		DN200	204	140	25 x 5.0	M8 x 40
10		DN250	254	166	25 x 5.0	M8 x 50
12		DN300	304	190	25 x 5.0	M8 x 50