

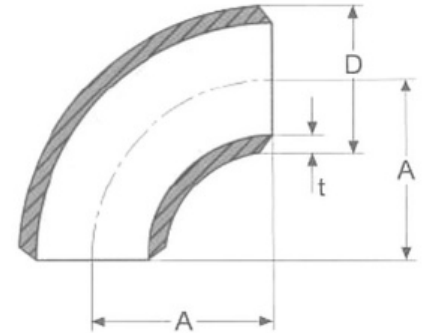
ANSI LONG RADIUS ELBOWS 90°

Special Metric Materials stocks ANSI long radius 90° elbows. ANSI long radius 90° elbows are used to connect two pipes and change the direction of flow through a pipeline system. They can be used in chemical, steam and condensate applications.

Special Metric Materials stocks ANSI long radius 90° elbows in accordance with ASTM A403 / A815 and ASME B16.9.

Nominal size ANSI long radius 90° elbows are available from ½" to 24", Sch.10s and Sch.40s. Larger and custom sizes can be manufactured to order.

Special Metric Materials has ANSI long radius 90° elbows readily available in stainless steel 304 and 316. Both welded and seamless fittings are available.



Nominal Pipe Size	Schedule	Dimensions in mm			Weight kg/pce
		D	t	A	
½"	10s	21.3	2.11	38.1	0.060
	40s	21.3	2.77	38.1	0.080
¾"	10s	26.7	2.11	38.1	0.070
	40s	26.7	2.87	38.1	0.090
1"	10s	33.4	2.77	38.1	0.140
	40s	33.4	3.38	38.1	0.160
1¼"	10s	42.2	2.77	47.6	0.230
	40s	42.2	3.56	47.6	0.250
1½"	10s	48.3	2.77	57.2	0.310
	40s	48.3	3.68	57.2	0.400
2"	10s	60.3	2.77	76.2	0.510
	40s	60.3	3.91	76.2	0.710
2½"	10s	73.0	3.05	95.3	0.850
	40s	73.0	5.16	95.3	1.360
3"	10s	88.9	3.05	114.3	1.220
	40s	88.9	5.49	114.3	2.180

ANSI LONG RADIUS ELBOWS 90°

Nominal Pipe Size	Schedule	Dimensions in mm			Weight kg/pce
		D	t	A	
4"	10s	114.3	3.05	152.4	2.150
	40s	114.3	6.02	152.4	4.170
5"	10s	141.3	3.40	190.5	3.630
	40s	141.3	6.55	190.5	6.860
6"	10s	168.3	3.40	228.6	4.900
	40s	168.3	7.11	228.6	10.890
8"	10s	219.1	3.76	304.8	10.660
	40s	219.1	8.18	304.8	21.550
10"	10s	273.1	4.19	381.0	19.500
	40s	273.1	9.27	381.0	38.560
12"	10s	323.9	4.57	457.2	27.220
	40s	323.9	9.53	457.2	59.420
14"	10s	355.6	4.78	533.4	36.300
	STD	355.6	9.53	533.4	70.300
16"	10s	406.4	4.78	609.6	47.630
	STD	406.4	9.53	609.6	91.630
18"	10s	457.2	4.78	685.8	59.870
20"	10s	508.0	5.54	762.0	99.790
24"	10s	609.6	6.35	914.4	140.610

