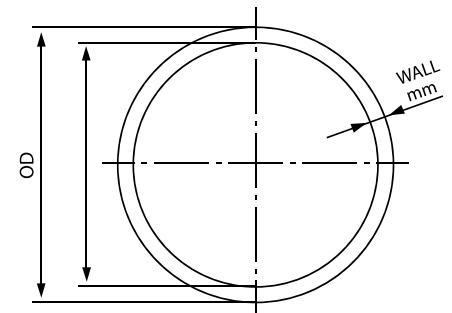


ANSI PIPE

Special Metric Materials stocks a wide range of ANSI pipe in different sizes. These pipes are used in pipelines in a variety of applications such as chemical, steam and condensate.

Special Metric Materials stocks ANSI pipe in accordance with ASTM A403 and ASME B36.19 / B36.10.

Nominal size ANSI pipe are available from 1/8" to 24", Sch.10s and Sch.40s. Larger and custom sizes can be manufactured to order. Special Metric Materials has ANSI pipe readily available in stainless steel 304 and 316. Both welded and seamless fittings are available.



| Nominal Pipe | | STD | | | | EH | | | | Double | |
|--------------|-----------|-------|-------|-------|-------|-------|-------|-------|--------|--------|--------|
| Size | OID in mm | 5s | 10s | 10 | 20 | 40s | 40 | 80s | 80 | 160 | EH |
| 1/8" | 10.29 | | 1.25 | 1.25 | | 1.73 | 1.73 | 2.41 | 2.41 | | |
| | | | 0.28 | 0.28 | | 0.37 | 0.37 | 0.47 | 0.47 | | |
| 1/4" | 13.72 | | 1.65 | 1.65 | | 2.24 | 2.24 | 3.02 | 3.02 | | |
| | | | 0.49 | 0.49 | | 0.64 | 0.64 | 0.81 | 0.81 | | |
| 3/8" | 17.15 | | 1.65 | 1.65 | | 2.31 | 2.31 | 3.20 | 3.20 | | |
| | | | 0.64 | 0.64 | | 0.85 | 0.85 | 1.12 | 1.12 | | |
| 1/2" | 21.34 | 1.65 | 2.11 | 2.11 | | 2.77 | 2.77 | 3.73 | 3.73 | 4.75 | 7.47 |
| | | 0.81 | 1.02 | 1.02 | | 1.29 | 1.29 | 1.64 | 1.64 | 1.97 | 2.59 |
| 3/4" | 26.67 | 1.65 | 2.11 | 2.11 | | 2.87 | 2.87 | 3.91 | 3.91 | 5.54 | 7.82 |
| | | 1.03 | 1.30 | 1.30 | | 1.71 | 1.71 | 2.23 | 2.23 | 2.93 | 3.69 |
| 1" | 33.40 | 1.65 | 2.77 | 2.77 | | 3.38 | 3.38 | 4.55 | 4.55 | 6.35 | 9.09 |
| | | 1.31 | 2.12 | 2.12 | | 2.54 | 2.54 | 3.29 | 3.29 | 4.30 | 5.54 |
| 1.1/4" | 42.16 | 1.65 | 2.77 | 2.77 | | 3.50 | 3.58 | 4.85 | 4.85 | 6.35 | 9.70 |
| | | 1.67 | 2.73 | 2.73 | | 3.44 | 3.44 | 4.53 | 4.53 | 5.69 | 7.88 |
| 1.1/2" | 48.26 | 1.65 | 2.77 | 2.77 | | 3.68 | 3.68 | 5.08 | 5.08 | 7.14 | 10.16 |
| | | 1.93 | 3.16 | 3.16 | | 4.11 | 4.11 | 5.49 | 5.49 | 7.35 | 9.70 |
| 2" | 60.33 | 1.65 | 2.77 | 2.77 | | 3.91 | 3.91 | 5.54 | 5.54 | 8.71 | 11.07 |
| | | 2.42 | 3.99 | 3.99 | | 5.52 | 5.52 | 7.60 | 7.60 | 11.29 | 13.85 |
| 2.1/2" | 73.03 | 2.11 | 3.05 | 3.05 | | 5.16 | 5.16 | 7.01 | 7.01 | 9.53 | 14.02 |
| | | 3.75 | 5.34 | 5.34 | | 8.77 | 8.77 | 11.59 | 11.59 | 15.15 | 20.72 |
| 3" | 88.00 | 2.11 | 3.05 | 3.05 | | 5.49 | 5.49 | 7.62 | 7.62 | 11.13 | 15.24 |
| | | 4.59 | 6.56 | 6.56 | | 11.47 | 11.47 | 15.51 | 15.51 | 21.67 | 28.11 |
| 3.1/2" | 101.60 | 2.11 | 3.05 | 3.05 | | 5.74 | 5.74 | 8.08 | 8.08 | | 16.15 |
| | | 5.26 | 7.43 | 7.52 | | 13.78 | 13.78 | 18.92 | 18.92 | | 34.56 |
| 4" | 114.30 | 2.11 | 3.05 | 3.05 | | 6.02 | 6.02 | 8.56 | 8.56 | 13.49 | 17.12 |
| | | 5.93 | 8.50 | 8.50 | | 16.32 | 16.32 | 22.64 | 22.64 | 34.05 | 41.66 |
| 5" | 141.30 | 2.77 | 3.40 | 3.40 | | 6.55 | 6.55 | 9.53 | 9.53 | 15.88 | 19.05 |
| | | 9.61 | 11.74 | 11.74 | | 22.10 | 22.10 | 31.44 | 31.44 | 49.94 | 58.32 |
| 6" | 168.28 | 2.77 | 3.40 | 3.40 | | 7.11 | 7.11 | 10.97 | 10.97 | 18.24 | 21.95 |
| | | 11.48 | 14.04 | 14.04 | | 28.69 | 28.69 | 43.21 | 43.21 | 68.53 | 80.43 |
| 8" | 219.08 | 2.77 | 3.76 | 3.76 | 6.35 | 8.18 | 8.18 | 12.70 | 12.70 | 23.01 | 22.23 |
| | | 15.00 | 20.27 | 20.27 | 33.82 | 43.22 | 43.22 | 65.69 | 65.69 | 111.16 | 109.57 |
| 10" | 273.05 | 3.40 | 4.19 | 4.19 | 6.35 | 9.27 | 9.27 | 12.70 | 15.06 | 28.58 | 25.40 |
| | | 22.96 | 28.21 | 28.21 | 42.41 | 61.23 | 61.23 | 82.79 | 97.29 | 174.95 | 157.41 |
| 12" | 323.85 | 3.96 | 4.57 | 4.57 | 6.35 | 9.53 | 10.31 | 12.70 | 17.45 | 33.32 | 25.40 |
| | | 31.72 | 36.54 | 36.54 | 50.48 | 75.00 | 80.94 | 98.95 | 133.88 | 242.40 | 189.82 |



ANSI PIPE

| Nominal Pipe | | | | | | | | | | | Double |
|--------------|-----------|-------|-------|-------|--------|------------|--------|-----------|--------|--------|--------|
| Size | OID in mm | 5s | 10s | 10 | 20 | STD 40s | 40 | EH 80s | 80 | 160 | EH |
| 14" | 355.60 | 3.96 | 4.78 | 6.35 | 7.82 | 9.53 | 11.13 | 12.70 | 19.05 | 35.71 | |
| | | 34.87 | 41.99 | 55.53 | 68.95 | 82.52 | 06.00 | 109.04 | 180.54 | 286.04 | |
| 16" | 406.40 | 4.19 | 4.78 | 6.35 | 7.92 | 9.53 | 12.70 | 12.70 | 21.41 | 40.46 | |
| | | 47.53 | 48.07 | 63.61 | 79.03 | 94.71 | 125.20 | 125.20 | 206.40 | 370.74 | |
| 18" | 457.20 | 4.19 | 4.78 | 6.35 | 7.92 | 9.53 | 14.28 | 12.70 | 23.80 | 45.24 | |
| | | 42.20 | 54.15 | 71.69 | 89.10 | 106.83 | 158.27 | 141.36 | 258.29 | 468.67 | |
| 20" | 508.00 | 4.78 | 5.54 | 6.35 | 9.53 | 9.53 | 15.06 | 12.70 | 26.19 | 49.99 | |
| | | 60.23 | 69.70 | 79.76 | 118.95 | 118.95 | 185.90 | 157.51 | 315.97 | 573.31 | |
| 24" | 609.60 | 5.54 | 6.35 | 6.35 | 9.53 | 9.53 | 17.45 | 12.70 | 30.94 | 59.51 | |
| | | 83.80 | 95.92 | 95.92 | 143.20 | 143.20 | 258.74 | 189.82 | 448.31 | 819.71 | |

