

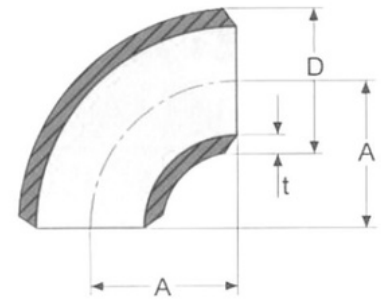
# ANSI SHORT RADIUS ELBOWS 90°

Special Metric Materials stocks ANSI short radius 90° elbows. ANSI short radius 90° elbows are where the radius of the elbow is 1.0 times the pipe diameter, i.e. equal or  $R = D$ .

Special Metric Materials stocks ANSI short radius 90° elbows in accordance with ASTM A403 and ASME B16.9 / B16.9.

Nominal size ANSI short radius 90° elbows are available from 1" to 24", Sch.10s and Sch.40s. Larger and custom sizes can be manufactured to order.

Special Metric Materials has ANSI short radius 90° elbows readily available in stainless steel 304 and 316. Both welded and seamless fittings are available.



Nominal Pipe Size	Schedule	Dimensions in mm			Weight kg/pce
		D	t	A	
1"	10s	33.4	2.77	25.4	0.100
	40s	33.4	3.38	25.4	0.120
1¼"	40s	42.4	3.56	31.8	0.200
1½"	10s	48.3	2.77	38.1	0.220
	40s	48.3	3.68	38.1	0.290
2"	10s	60.3	2.77	50.8	0.370
	40s	60.3	3.91	50.8	0.510
2½"	10s	73.0	3.05	63.5	0.620
	40s	73.0	5.16	63.5	1.020
3"	10s	88.9	3.05	76.2	0.980
	40s	88.9	5.49	76.2	1.500
4"	10s	114.3	3.05	101.6	1.720
	40s	114.3	6.02	101.6	3.120
5"	10s	141.3	3.40	127.0	2.78
	40s	141.3	6.55	127.0	5.28
6"	10s	168.3	3.40	152.4	4.150
	40s	168.3	7.11	152.4	7.150
8"	10s	219.1	3.76	203.2	8.000
	40s	219.1	8.18	203.2	17.050
10"	10s	273.1	4.19	254.0	12.400
	40s	273.1	9.27	254.0	24.000



# ANSI SHORT RADIUS ELBOWS 90°

Nominal Pipe Size	Schedule	Dimensions in mm			Weight kg/pce
		D	t	A	
12"	10s	323.9	4.57	304.8	17.200
	40s	323.9	9.53	304.8	38.100
14"	10s	355.6	4.78	355.6	23.590
	STD	355.6	9.53	355.6	45.400
16"	10s	406.4	4.78	406.4	30.840
	STD	406.4	9.53	406.4	59.400
18"	10s	457.2	4.19	457.2	39.500
20"	10s	508.0	4.78	508.0	65.000
24"	10s	609.6	6.35	609.6	92.000
	STD	355.6	9.53	165.1	15.900
16"	10s	406.4	4.78	177.8	14.510
	STD	406.4	9.53	177.8	20.000
18"	10s	457.2	4.78	203.2	17.960
20"	10s	508.0	5.54	228.6	27.220
24"	10s	609.6	6.35	266.7	34.470

